

CS 135: File Systems

General Filesystem Design

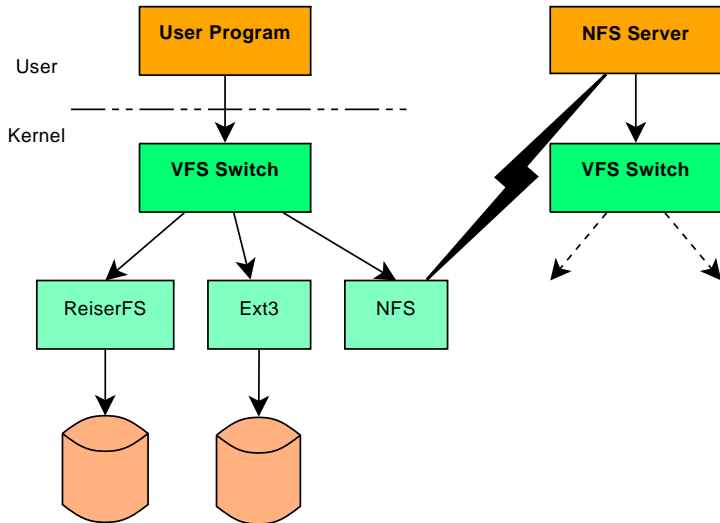
Promises Made by Disks (etc.)

1. I am a linear array of blocks
2. You can access any block fairly quickly
3. You can read or write any block independently of any other
4. If you give me bits, I will keep them and give them back later

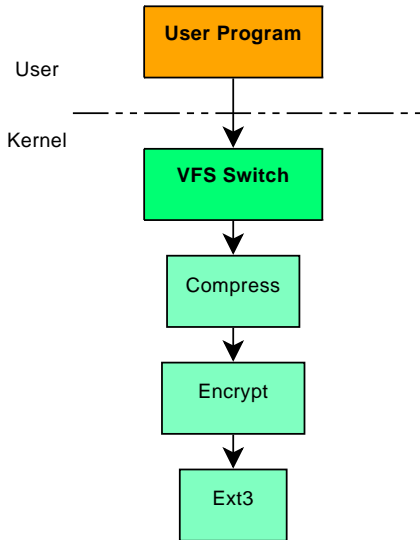
Promises Made by Filesystems

1. I am a structured collection of data
2. My indexing is more complex than just numbers
3. You can read and write on the block or byte level
4. You can find the data you gave me
5. I will give you back the bits you wrote

Virtual File System Layer



VFS Stacking



VFS Interface Functions

The list is long and the interface is complex. Here are a few sample functions:

- `lookup` Find directory entry
- `getattr` Return file's attributes; roughly Unix `stat`
- `mkdir` Create a directory
- `create` Create a file (empty)
- `rename` Works on files and directories
 - `open` Open a file (possibly creating it)
 - `read` Read bytes

VFS Interface Functions

The list is long and the interface is complex. Here are a few sample functions:

`lookup` Find directory entry

`getattr` Return file's attributes; roughly Unix `stat`

`mkdir` Create a directory

`create` Create a file (empty)

`rename` Works on files and directories

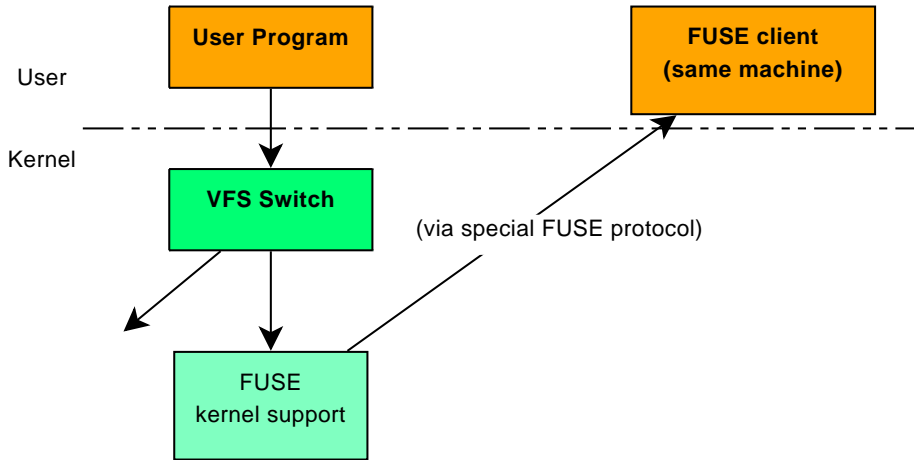
`open` Open a file (possibly creating it)

`read` Read bytes

Important: Don't have to implement all operations!

FUSE Structure

FUSE (Filesystem in USER space) works sort of like NFS:



FUSE Clients

- ▶ Must implement a minimum protocol subset
- ▶ What happens internally is hugely flexible
 - ▶ Serve requests from internal memory
 - ▶ Serve them programmatically (e.g, reads return $\sqrt{\text{writes}}$)
 - ▶ Feed them on to some other filesystem, local or remote
 - ▶ Implement own filesystem on local disk or *inside a local file*
- ▶ Samples widely available:
 - hellofs** Programmatic “hello, world”
 - sshfs** Remote access via ssh
 - Yacufs** Makes ogg look like mp3, etc.
 - Bloggerfs** Your blog is a filesystem!
 - rsbep** ECC for your files
 - unpackfs** Look inside tar/zip/gzip archives

The FUSE Interface (1)

FUSE is somewhat like VFS, but can be stateless. Full list of operations (2 slides):

- `*getattr` Get file attributes/properties
- `*readdir` Read directory entries
 - `*open` Open file
 - `*read` Read bytes
- `write` Write bytes
- `mkdir` Make directory
- `rmdir` Remove directory
- `mknod` Make device node or FIFO
- `readlink` Read symlink destination
- `symlink` Create symbolic link
 - `link` Create hard link
- `unlink` Remove link or file
- `rename` Rename directory or file

The FUSE Interface (2)

FUSE operation list, continued:

- `truncate` Delete tail of file
- `access` Check access permissions
- `chmod` Change permissions
- `chown` Change ownership
- `utimens` Update access/modify times
- `statfs` Get filesystem statistics
- `release` Done with file (kind of like close)
- `fsync` Flush file data to stable storage
- `getxattr` Get extended attributes
- `setxattr` Set extended attributes
- `listxattr` List extended attributes
- `removexattr` Remove extended attributes

A Minimal FUSE Filesystem

The “hello, world” example filesystem:

- `getattr` If path is “/” or “/hello”, return canned result; else fail
- `readdir` Return three canned results: “.”, “..”, “hello”
 - `open` Fail unless path is “/hello” and open is for read
 - `read` If path is “/hello” and read is within string, return bytes requested. Otherwise fail.

97 lines of well-formatted (but uncommented) code!

A Minimal FUSE Filesystem

The “hello, world” example filesystem:

- `getattr` If path is “/” or “/hello”, return canned result; else fail
- `readdir` Return three canned results: “.”, “..”, “hello”
 - `open` Fail unless path is “/hello” and open is for read
 - `read` If path is “/hello” and read is within string, return bytes requested. Otherwise fail.

97 lines of well-formatted (but uncommented) code!

Oh, and you can do it in Python or Perl...

What Is FUSE Good For?

- ▶ Quick filesystem development
- ▶ Filesystems that need user-level services
- ▶ Extending existing filesystems
- ▶ Trying out radical ideas (e.g., SQL interface to filesystem)

What is FUSE Bad At?

- ▶ Performance is necessarily worse than in-kernel systems
- ▶ Don't use when top performance needed
- ▶ Don't use if you need performance measurements on your cool new idea

What a Filesystem Must Provide

- ▶ Unix has had big effect on filesystem design
- ▶ To succeed today, must support the POSIX interface:
 - ▶ Named files (buckets of bits)
 - ▶ Hierarchical directory trees
 - ▶ Long file names
 - ▶ Ownership and permissions
- ▶ Many ways to accomplish this goal
- ▶ Today we'll look at single-disk filesystems

Disk Partitioning

- ▶ For various bad reasons, disks are logically divided into *partitions*
- ▶ Table inside cylinder 0 tells OS where boundaries are
- ▶ OS makes it look like multiple disks to higher levels
- ▶ Early computers had no BIOS, so booting just read block 0 (“boot block”) of disk 0
- ▶ Block 0 had enough code to find rest of kernel & read it in
- ▶ Even today, block 0 is reserved for boot block (Master Boot Record)
- ▶ Original scheme had partition table inside MBR
- ▶ Partition contents are up to filesystem

Basic Filesystem Structure

- ▶ Any (single-disk) filesystem can be divided into five parts:
 1. “Superblock” at well-known location
 2. Free list(s) of unallocated space & data structures
 3. Directories that tell where to find other files and directories
 4. “Root directory” findable from superblock
 5. Metadata telling how to find directory & file contents, and possibly other information about them

The Superblock

- ▶ Must be findable when FS is first accessed (“mounted”)
- ▶ Only practical approach: have well-known location (e.g., block 2)
- ▶ Everything is up to designer, but usually has:
 - ▶ “Magic number” for identification
 - ▶ Checksum for validity
 - ▶ Size of FS (redundant but necessary)
 - ▶ Location of root directory
 - ▶ Location of metadata (or first metadata)
 - ▶ Parameters of disk and of FS structure (e.g., blocks per cylinder, how things are spread across disk)
 - ▶ Location of free list
 - ▶ Bookkeeping data (e.g., date last mounted or checked)

The Free List

- ▶ Usually one of simplest data structures in filesystem
- ▶ Popular approaches:
 - ▶ Special file holding all free blocks
 - ▶ Linked list of blocks
 - ▶ “Chunky” list of blocks
 - ▶ Bitmap
 - ▶ List of extents (contiguous groups of blocks identified by start & length)
 - ▶ B-tree or fancier structure

Directories

- ▶ Requirement: associate name with *something* usable for locating file's attributes & data
- ▶ Simplest approach: array of structures, each of which has name, attributes, pointer to where data is found
- ▶ Problems:
 - ▶ Makes directories big; skipping unwanted entries is expensive
 - ▶ Puts “how to find” information far from file & makes it hard to find
 - ▶ Can't support hard links & certain other nice features
- ▶ Better: associative map of pairs (name, id-number) where *id-number* tells where to find rest of metadata about file
- ▶ From Unix, traditionally referred to as *i-node number*
- ▶ Inodes (from “index nodes”) can be array or complex structure
- ▶ Every directory must also have “.” and “..” (or equivalent)

The Root Directory

- ▶ This part is easy: on any sensible FS it's identical to any other except for being easily findable
- ▶ “..” must be special, since you can't go up from root
 - ▶ Exception: if filesystem is mounted under a subdirectory, going up makes sense
 - ▶ OS hacks that case specially

Metadata About Files and Directories

- ▶ Most is just a struct of useful information
 - ▶ Under Unix, almost precisely what `stat(2)` returns
 - ▶ Type, permissions, owner, group, size in bytes, three timestamps
- ▶ Fun part is “how to find the data itself”
 - ▶ Desirable properties of a good scheme:
 - ▶ Cheap for small files, which are common
 - ▶ Supports *very* large files
 - ▶ Efficient random access to large files
 - ▶ Lets OS know when blocks are contiguous (i.e., cheap to read sequentially)
 - ▶ Easy to return blocks to free list
 - ▶ Can't be list of blocks, since inode usually fixed size
 - ▶ Various schemes; for example, could give root of B-tree, or first of linked list of block numbers
 - ▶ Can be useful to use extents & try to have sequences of blocks
 - ▶ Can use hybrid scheme where first few blocks listed in inode, remainder found elsewhere

Final Thoughts

- ▶ Optimal design depends on workload
 - ▶ Read vs. write frequency
 - ▶ Sequential vs. random access
 - ▶ File-size distribution
 - ▶ Long- vs. short-lived files
 - ▶ Proportion of files to directories
 - ▶ Directory size
 - ▶ ...

Final Thoughts

- ▶ Optimal design depends on workload
 - ▶ Read vs. write frequency
 - ▶ Sequential vs. random access
 - ▶ File-size distribution
 - ▶ Long- vs. short-lived files
 - ▶ Proportion of files to directories
 - ▶ Directory size
 - ▶ ...
- ▶ There is no perfect filesystem!